

IBM UPS3000X Uninterruptible Power System Solutions



The IBM UPS3000X offers choice of rackmount or tower installation.

Highlights

- *Provides more real wattage in less space with a .9 power factor—protecting more equipment and leaving more room for expansion*
- *Space-saving 2U form factor for rackmount or tower installations*
- *Enables prioritized shutdown of non-essential equipment during outages to maximize backup time for critical devices*
- *Add up to four Extended Battery Modules to provide hours of battery runtime*
- *Increases uptime with hot-swappable batteries and electronic module*
- *Ensures data and system integrity with a complete suite of power management software and connectivity options*
- *Includes ConnectUPS Web/SNMP Interface Card for enhanced UPS monitoring and control*
- *Fully complies with RoHS and WEEE requirements*

More power and performance, smaller package and price

Increase the availability and reliability of your business-critical data with the new IBM UPS3000X uninterruptible power system (UPS). Designed to deliver superior power protection in a compact package, the UPS3000X offers space-saving designs and innovative features at competitive prices to deliver greater return from your IT investment.

The IBM UPS3000X family provides the benefits of IBM's renowned service and worldwide support, plus an industry-leading set of innovations and features that are available exclusively from IBM.

In accordance to the European Union's initiative on the Restriction of Hazardous Substances and Waste Electrical and Electronic Equipment, the IBM UPS3000X complies with RoHS and WEEE requirements.

Get it now

go to ibm.com/systems/x or call 1 888 ShopIBM to buy direct or to locate an IBM reseller.

Designed for high availability

This innovative UPS solution incorporates design advances that boost uptime and simplify management.

Electronics as well as battery packs are hot-swappable, allowing fast, safe and easy replacement of components.

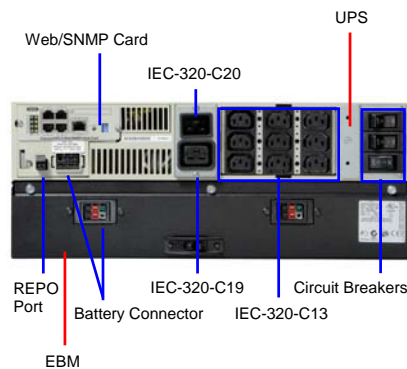
In the rare event that the electronics of a UPS should fail, there is no need to unplug the servers or take them offline to replace the UPS. Simply pull and replace the electronics pack—no need to remove UPS from the rack. Devices stay plugged in, and power sourcing automatically switches to line current and back again to keep systems up and running. This feature is commonly reserved for high-end, higher priced UPS products. Plus the IBM UPS3000X helps protect your data and IT systems with full-time surge suppression, automatic voltage regulation and noise filtering.



When the batteries reach the end of their useful life or the electronics module fails, replacement is easy. With simple access through the front panel, you can safely install new battery and electronics module without ever powering down the connected server and server options or having to remove the unit from the rack.

Rich power-management solutions

Power management is critical in today's environment. The IBM UPS3000X comes complete with a suite of easy-to-use software that allows management of the UPS either locally, with the standard serial or USB connectors, or remotely using the built-in 10/100 Network Management Module. The UPS3000X includes a ConnectUPS Web/SNMP Interface Card to enable direct control and monitoring in SNMP-based networks, plus the ability to monitor UPS status and meters through a Web browser.



You can fine-tune power management and increase battery life even further by selectively powering off non-essential systems. The UPS3000X segments outlets on the rear panel into three groupings so that you can program how long each connected system runs on battery power during an outage. With this feature, the UPS can selectively switch off outlets powering non-essential systems or non-intelligent devices to increase runtimes for essential applications.

Optional battery packs increase uptime

You can attach up to four UPS Extended Battery Modules to the UPS3000X, which means you can now have hours of additional runtime during a power crisis. The Extended Battery Modules are 2U in height and hot-swappable, allowing for the easy addition of run time to any configuration of the UPS3000X.

Flexible design for rack or tower use

The UPS3000X is a 2U rack-ready UPS product that supports preconfigured shipment in an IBM NetBAY rack. It is also designed for flexibility, allowing you to use the UPS and its external battery packs in a tower configuration for stand-alone installations. Every UPS3000X and Extended Battery Module option is delivered with the components necessary to complete this rack-to-tower conversion.

A powerful partnership

UPS3000X products are designed by IBM and manufactured to our demanding specifications by Eaton Corporation, an industry leader in power management and our longtime power management provider. This means you get IBM service, support, warranty, protection and years of experience along with Eaton's knowledge of UPS manufacturing and management software.

IBM UPS3000X at a glance

Model	UPS3000XLV	UPS3000JLV	UPS3000XHV	UPS3000JHV
Part number	21301RX (40K9656)	21301JX (40K9792)	21302RX (40K9657)	21302JX (40K9793)
Form factor	2U rack-mountable, with tower conversion kit included; ship-loaded approved			
Input Voltage	110-127V	100V	208-240V	200V
Watts/VA Rating	2700 / 2880	2400 / 2250	2700 / 3000	2700 / 3000
Line input	NEMA L5-30P	NEMA L5-30P	Varies. See Line Input Options table below.	NEMA L6-20P (part number 40K9772, ordered separately).
Line output	(6) NEMA 5-15 and (1) NEMA L5-30R	(6) NEMA 5-15 and (1) NEMA L5-30R	(9) IEC-320-C13 and (1) IEC-320-C19	(9) IEC-320-C13 and (1) IEC-320-C19
Number of line outputs	Six (plus up to 7 more with NetBay PDU or DPI Rack PDU)	Six (plus up to 7 more with NetBay PDU or DPI Rack PDU)	Nine (plus up to 7 more with NetBay PDU or DPI Rack PDU)	Nine (plus up to 7 more with NetBay PDU or DPI Rack PDU)
Interface ports	RJ-45, RS-232, integrated Network Management Module (RJ-45)			
Software included	Software Suite CD			
Battery backup times	<ul style="list-style-type: none"> • 1 hot-swappable internal battery provides more than four minutes of run time at a load of 2700W • Supports up to four Extend Battery Modules for approximately 90 additional minutes of runtime at full load. See battery runtime chart on next page. 			
Weight	37 kg (82 lb.)			
Dimensions (HxWxD)	89 x 483 x 622 mm 3.5 x 19.0 x 26.9 in.			
Color	Black			
Warranty¹	3-year limited warranty			
General features	Emergency power off, hot-swap electronics, optional UPS Extend Run external battery packs (up to four), hot-swap batteries, controllable outlet groups, integrated network management, Advanced Battery Management (ABM®) technology, overload indicator, rack mount, replace-battery indicator, resettable output circuit breakers, status indicator LEDs			
Includes	UPS signaling RS-232 cable, rack-mounting support rails, CD with software, user manual			
Environmental	Operating Temperature: 0 to 40°C (32 to 104°F) Storage Temperature: -15 to 50°C (5 to 122°F) Relative humidity: 0% to 95% non-condensing Altitude (max.): 3000m (10,000 ft) without derating Audible noise: less than 40 dBA typical			
Configuration aid	IBM Rack Configurator at ibm.com/servers/eserver/xseries/library/configtools.html			
Approvals				
Safety Certification	UL; cUL; NOM	UL; cUL	TUV/GS; UL; cUL; NOM CE	UL; cUL
EMC Compliance	FCC Part 15 Class A	FCC Part 15 Class A; VCCI	IEC 62040-2, Class A	FCC Part 15 Class A; VCCI
Ship group components	Rail set with rear brace, accessory kit, rack to tower conversion parts, UPS serial cable, UPS cable, EPO cable, four rack jumper cords and one 2.5m C19-C20 PDU cable (HV models only), documentation and software CDs.			

Line input options for UPS3000XHV

Option Part Number	Option Part Number
40K9766	Line cord for Europe
40K9767	Line cord for the United Kingdom
40K9768	Line cord for Italy
40K9769	Line cord for Denmark, Switzerland
40K9770	Line cord for South Africa
40K9771	Line cord for Israel
40K9772	Line cord for U.S., Canada, Japan (NEMA L6-20)
40K9773	Line cord for Australia, New Zealand
40K9774	Line cord for China
40K9775	Line cord for Brazil
40K9776	Line cord for India
40K9777	Line cord for Argentina

Optional Extended Battery options at a glance	
Part Number	40K9620 (for use with UPS3000XLV and UPS3000XHV) 40K9788 (for use with UPS3000JLV and UPS3000JHV)
Form Factor	2U rack-mountable with tower conversion kit included; ship-loaded approved
Battery information and runtimes	<ul style="list-style-type: none"> • 2 hot-swappable battery trays per Extended Battery Module • Each Extended Battery Module supports runtimes of approximately 20 minutes at full load, 40 minutes at half load
Weight	54.9 kg (121 lb.)
Dimensions (HxWxD)	Rackmount configuration: 89 x 483 x 622 mm 3.5 x 19.0 x 26.9 in. Tower configuration (with pedestals)



© IBM Corporation 2006
07-06
All Rights Reserved

Runtimes for UPS3000x internal battery and with optional Extended Battery Modules (in minutes)					
Power	Internal	+ 1 EBMs	+ 2 EBMs	+ 3 EBMs	+ 4 EBMs
180W	65	285	559	787	1026
270W	57	255	500	704	918
360W	51	225	441	621	810
450W	45	200	392	552	720
540W	40	175	343	483	630
630W	35	150	294	414	540
720W	30	130	255	359	468
810W	26	115	225	317	414
900W	23	100	196	276	360
990W	20	85	167	235	306
1080W	17	75	147	207	270
1260W	13	60	118	166	216
1440W	10	45	88	124	162
1710W	8	40	78	110	144
2070W	7	35	69	97	126
2340W	6	30	59	83	108
2700W	5	25	49	69	90

Battery runtimes are approximate and may vary according to equipment, configuration, battery age, temperature, etc.

¹ For terms and conditions or copies of the IBM limited warranty, call 1 800 772-2227 in the U.S. and in Canada call 1 800-426-2255. Limited warranty includes International Warranty Service in those countries where this product is offered. Registration is required. Telephone support may be subject to additional charges. For warranties including onsite service, IBM sends a technician after attempting to resolve the problem remotely.

² Battery runtimes are estimates based on testing, actual times may vary with equipment, configuration, battery age, temperature, etc.

IBM systems are assembled in the U.S., Great Britain, Japan, Australia and Brazil and comprise U.S. and non-U.S. components.

IBM, the IBM logo, the e-business logo, IBM NetBAY, ServerProven and System x are trademarks of IBM Corporation in the United States, other countries or both.

Other company, product and service names may be trademarks or service marks of others.

IBM reserves the right to change specifications or other product information without notice. This publication could include technical inaccuracies or typographical errors. References in this publication to IBM products or services do not imply that IBM intends to make them available in all countries in which IBM operates. IBM PROVIDES THIS PUBLICATION "AS IS" WITHOUT WARRANTY OF ANY KIND, EITHER EXPRESS OR IMPLIED, INCLUDING THE IMPLIED WARRANTIES OF MERCHANTABILITY AND FITNESS FOR A PARTICULAR PURPOSE. Some jurisdictions do not allow disclaimer of express or implied warranties in certain transactions; therefore, this statement may not apply to you.

Need more information?

World Wide Web

IBM Racks and rack solutions	ibm.com/servers/eserver/xseries/storage/rack.html
System x and Netfinity Rack Configurator	ibm.com/servers/eserver/xseries/library/configtools.html
IBM System x	ibm.com/servers/systems/x

Buy Direct

U.S.	1 888 SHOP-IBM
Canada	1 888 411-1WEB